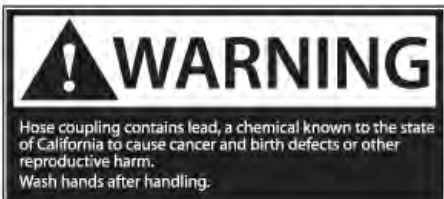


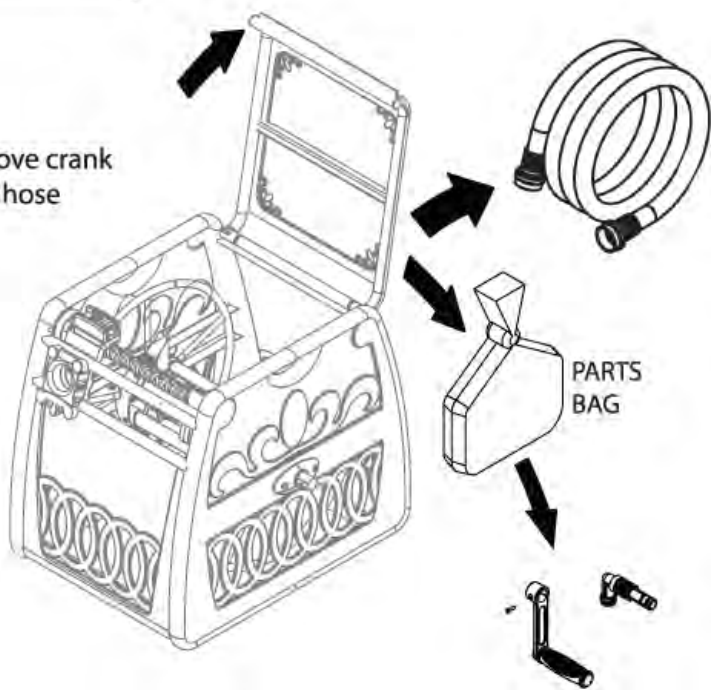


## DECORATIVE METAL DECK HOSE REEL INSTRUCTIONS

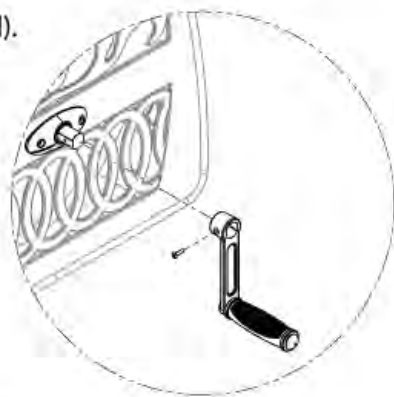


### **ASSEMBLY:**

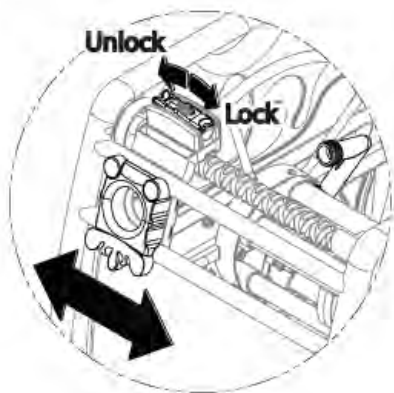
**STEP 1:** Open cover, remove crank handle with screw, leader hose and water system.



**STEP 2:** Install handle on unit (use #2 Phillips-head screwdriver – not included).



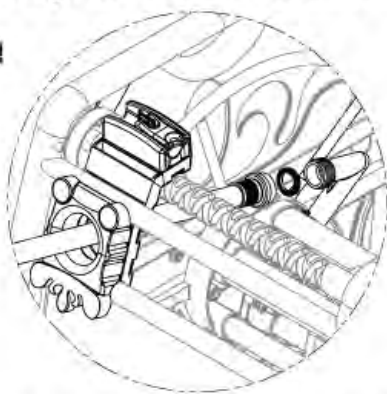
**STEP 3:** Verify that hose guide is lined up with water system inlet. If necessary, unlock hose guide by lifting latch on top of guide and align with water system inlet. Re-lock hose guide for use.



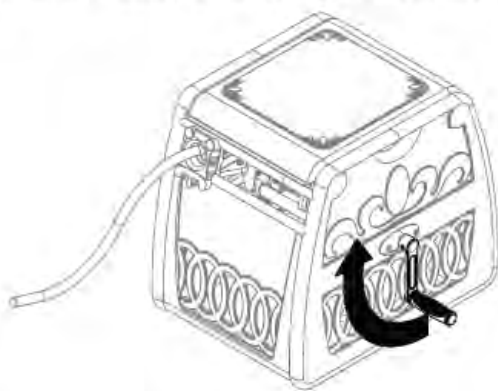
## **INSTALLATION:**

**STEP 4:** Uncoil garden hose (not included) and insert female end through hose guide. Ensure rubber washer is inside fitting and attach hose to water system inlet. Ensure it is tight to prevent leaking.

**ATTENTION: DO NOT OVERTIGHTEN!**



**STEP 5:** Close cover and reel hose onto basket by turning handle clockwise as shown. Optionally, install nozzle (not included) on free end of hose.



**STEP 6:** Ensure rubber washer is inside fitting on leader hose. Connect end of leader hose to faucet. Ensure it is tight to prevent leaking.

**ATTENTION: DO NOT OVERTIGHTEN!**

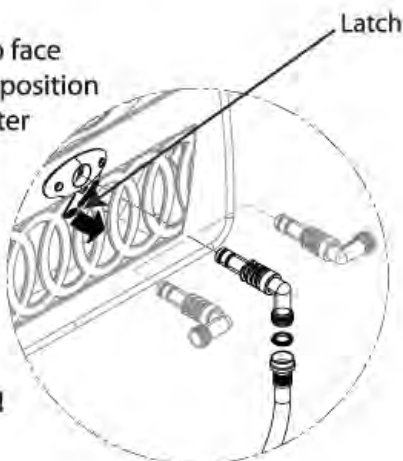


**STEP 7:** Connect leader hose to unit.

a) Water system can be repositioned to face forward, backward or downward. To reposition water system, pull latch down, pull water system out and reinsert it in desired orientation. Lock by pushing latch back into place.

b) Ensure rubber washer is inside fitting on leader hose. Connect end of leader hose to unit. Ensure it is tight to prevent leaking.

**ATTENTION: DO NOT OVERTIGHTEN!**



## **OPERATION:**

**STEP 8:** Remove length of hose needed from unit.

**STEP 9:** Turn water on at faucet.

**STEP 10:** Use hose for watering.

**STEP 11:** Before rewinding hose, bring nozzle back to unit, turn water off and squeeze nozzle for a few seconds to relieve pressure in hose. Turn handle to reel hose in.

## **STORAGE:**

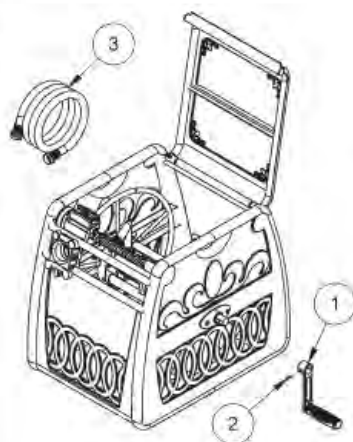
Turn water off when not in use; store unit in a shaded place. Drain water from unit to prevent damage from freezing.

ITEM	QTY	DESCRIPTION	PART NUMBER
1	1	Crank Handle	2517101
2	1	Crank Handle Screw	2517102
3	1	Leader Hose	2517103

**For replacement parts, contact:**

IN THE US:  
Ames True Temper  
Customer Services Dept.  
P.O. Box 8859  
Camp Hill, PA 17011  
1-800-393-1846

Give Part Number and Description when ordering parts.



Ames warrants to the original purchaser only of the accompanying product that such product will be free from defects in material and workmanship for 2 years from the date of purchase. In the event of any such defect in material or workmanship, Ames will provide a replacement product at no charge if the product is returned to its place of purchase or to Ames at 465 Railroad Avenue, Camp Hill, PA, 17011. Damage to the product caused by accident, misuse, abuse, unauthorized repair, or use in other than normal home or personal use or private non commercial use, is not covered by this limited warranty. Ames shall not be liable for incidental or consequential damages, for breach of any express or implied warranty, but some states do not allow the exclusion or limitation of incidental or consequential damages so to the extent that they do not, the above limitation may not apply to you. This warranty gives you specific legal rights and you may have other specific legal rights which vary from state to state.