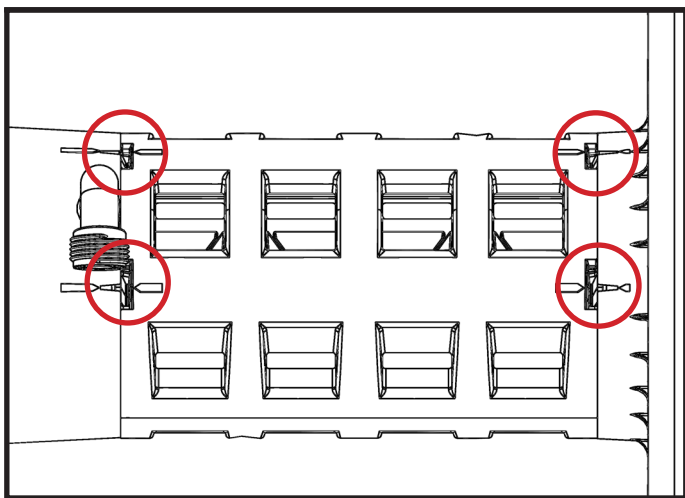


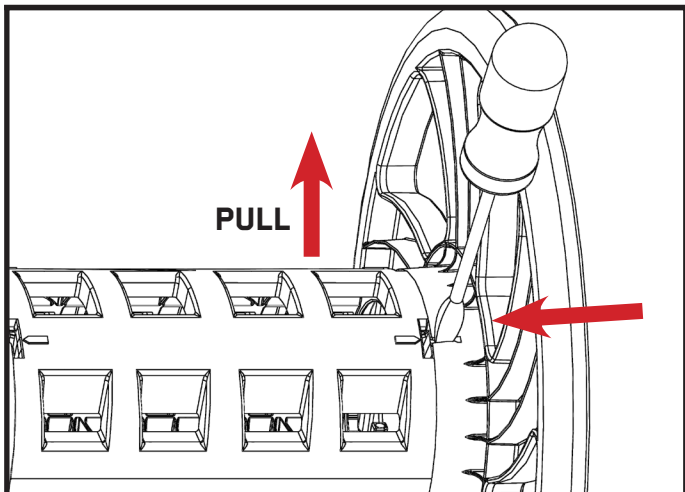
# 1 Aluminum Water System (#24075500) Replacement Instructions



Orient hose reel to locate the hub latch locations marked with arrows. There will be four latches on a single hub half.

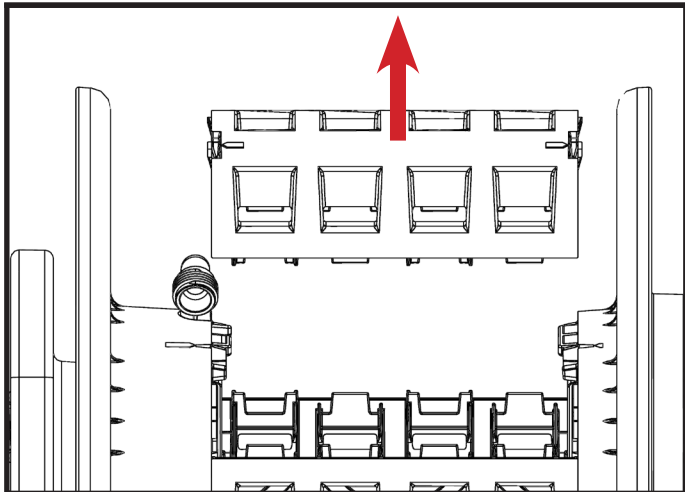
# 2

Insert a small flat head screwdriver into the slot as shown. Apply force to the latch toward the center of the unit as indicated by the arrow. By simultaneously pulling on the hub half, the latch can be disengaged as seen below. Repeat this for all four latches on a hub half.



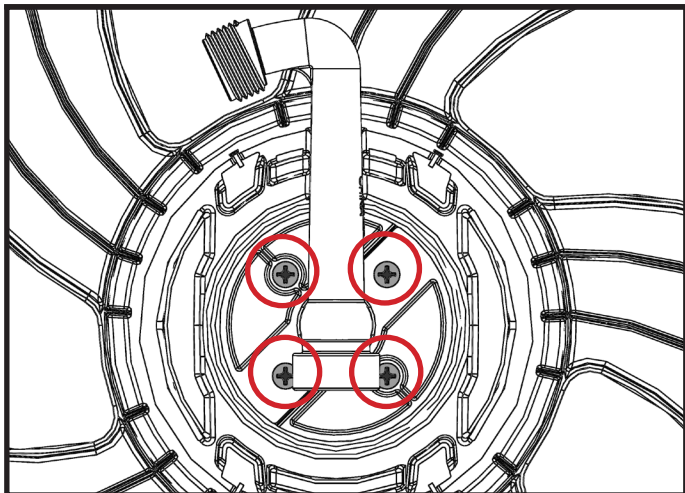
# 3

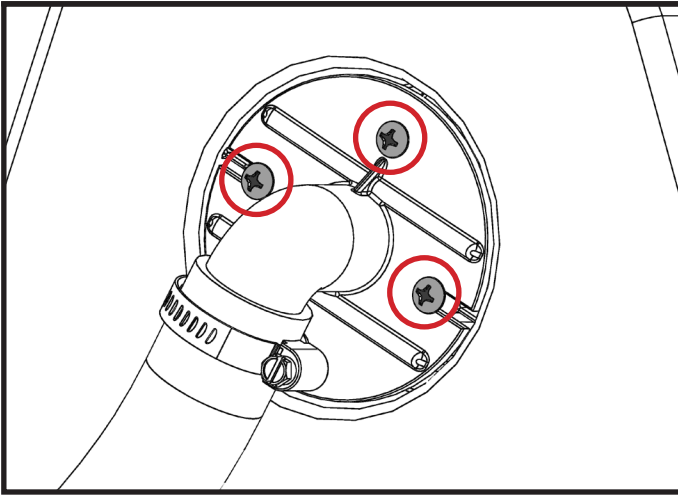
With all four latches disengaged, remove hub half. Repeat the previous steps to remove the opposite hub half as well.



# 4

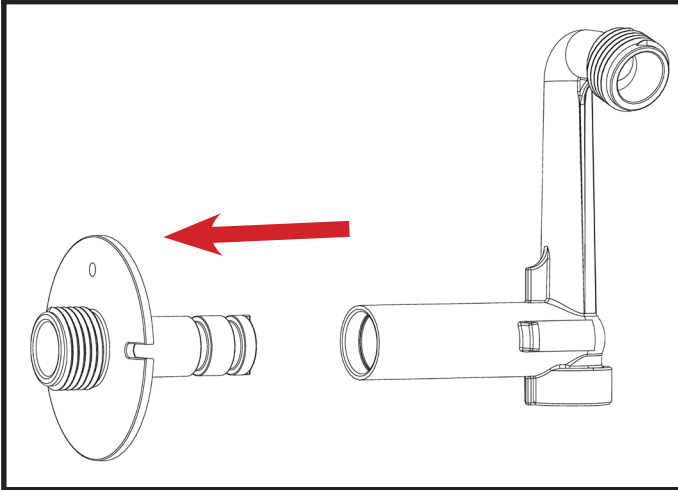
Locate inner water system screws. Using a Phillips head screwdriver, remove the four screws. Remove inner water system and retainers taking note of how it was assembled.





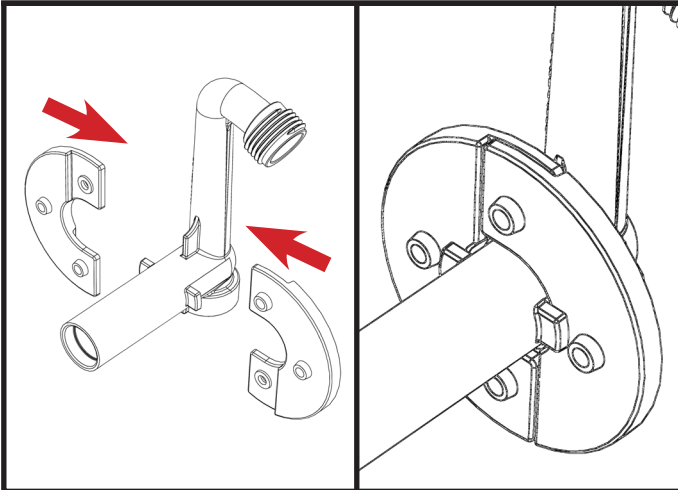
5

Locate outer water system. Remove the three screws then remove the outer water system with attached leader hose.



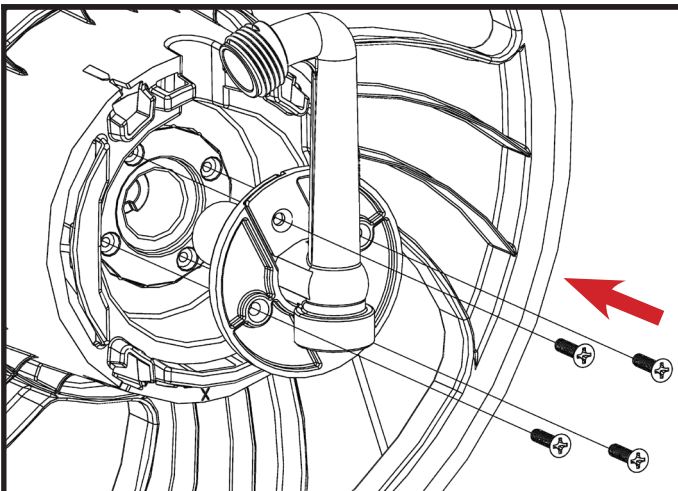
6

Remove any protective wrap from your replacement water system and separate it into two pieces by pulling apart as shown.



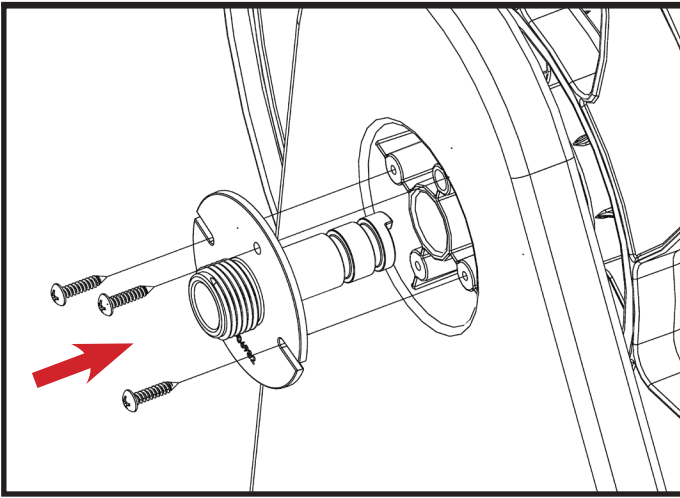
7

Interlock the two retainer halves you removed earlier around the new aluminum water system. Place them as shown in order to hold the water system in place.



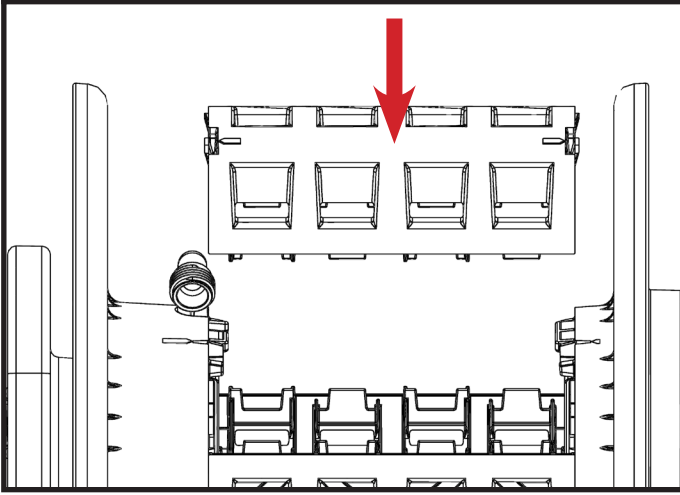
8

Place the retainer halves and water system inside the hose reel and secure with the four screws you removed in step 4.



**9**

Attach the outer water system piece using the three screws you removed in step 5. Install one end of the leader hose provided to the water inlet, tightening the threaded coupling by hand. Plumber's tape (not included) may be used to prevent corrosion. **DO NOT OVER-TIGHTEN.**



**10**

Align the two sides of the reel so the arrows line up and reinsert the hub halves. Push down until the latches are fully engaged.

## Aluminum Water System (#24075500) Replacement Instructions

If you have questions or comments, contact us.  
1-800-393-1846 | [WWW.AMES.COM](http://WWW.AMES.COM)